

Vol R6 10k

HWBDF40K BCB

YS  
WS

BS  
B

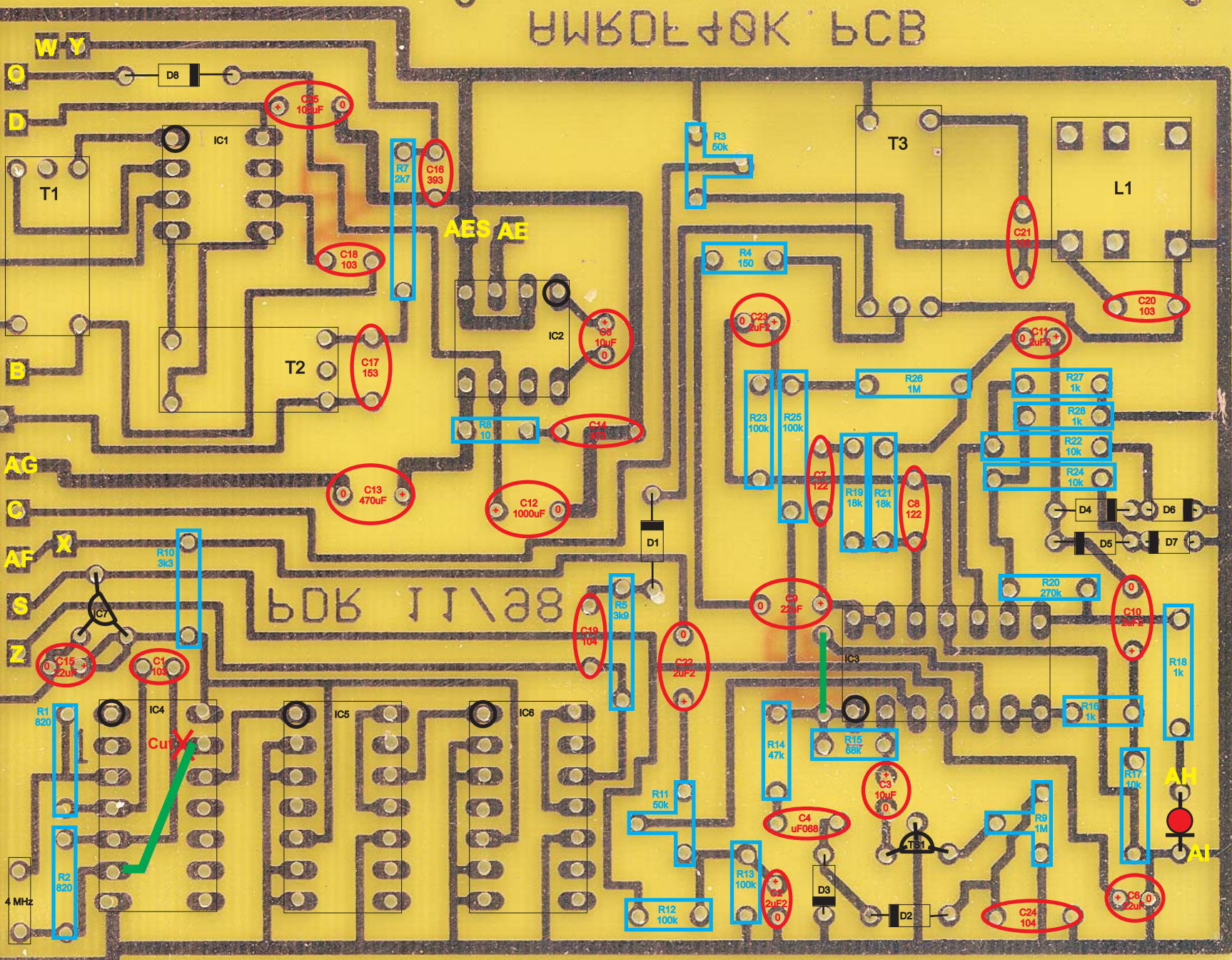
AGS  
AG

CS  
XS

AES  
AF

ZS  
Z

H



BOARD 3 - COMPONENT SIDE VIEW