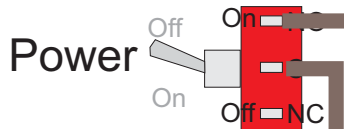


BOARD 2 - COMPONENT SIDE VIEW

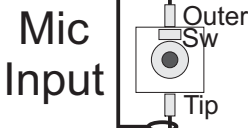
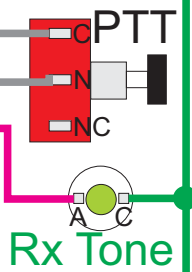


+12 Volt DC In
12 Volt Return

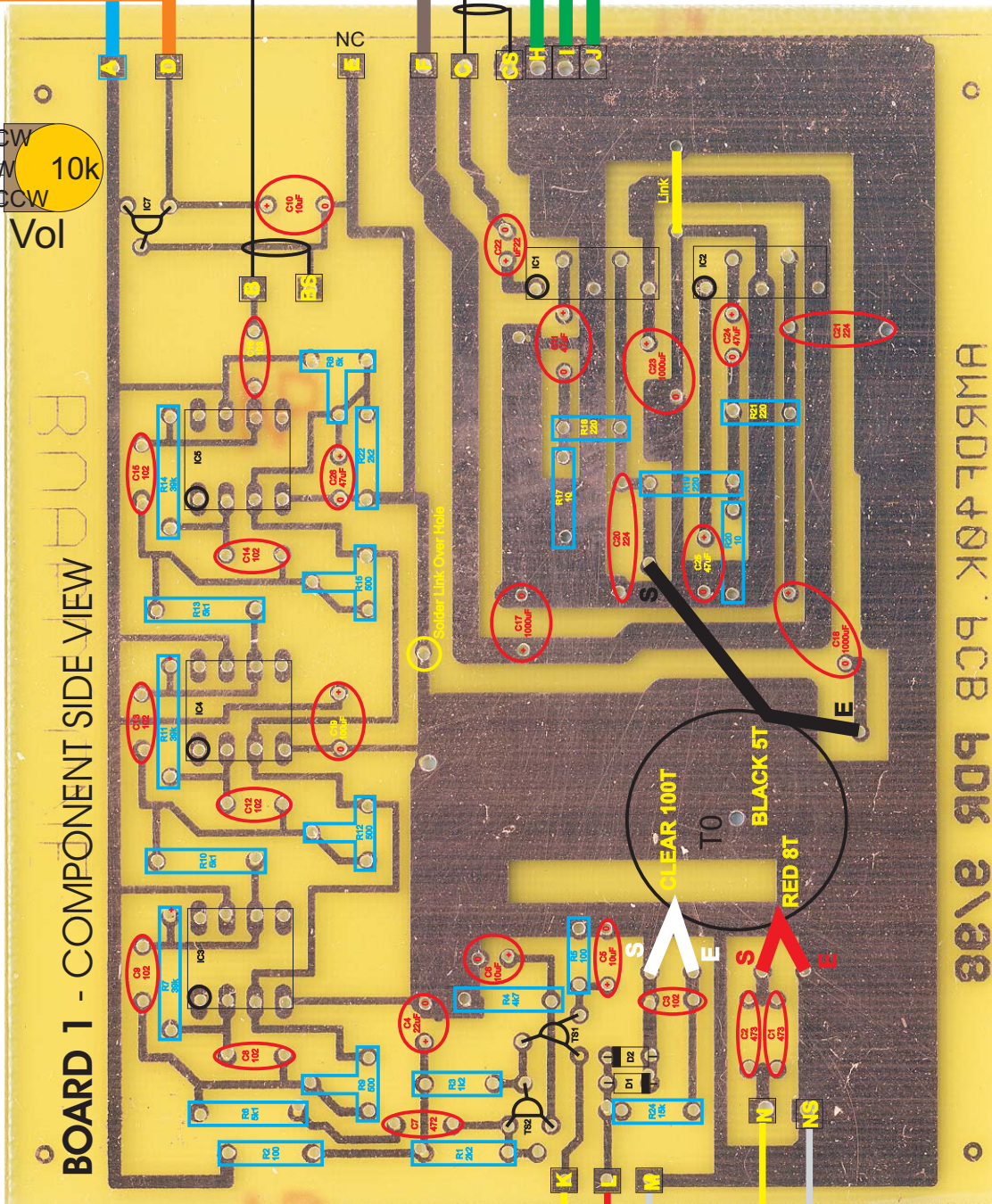
Tone On
C
NO
NC
C
NO
NC
Tone Off

Rx Mode +12V

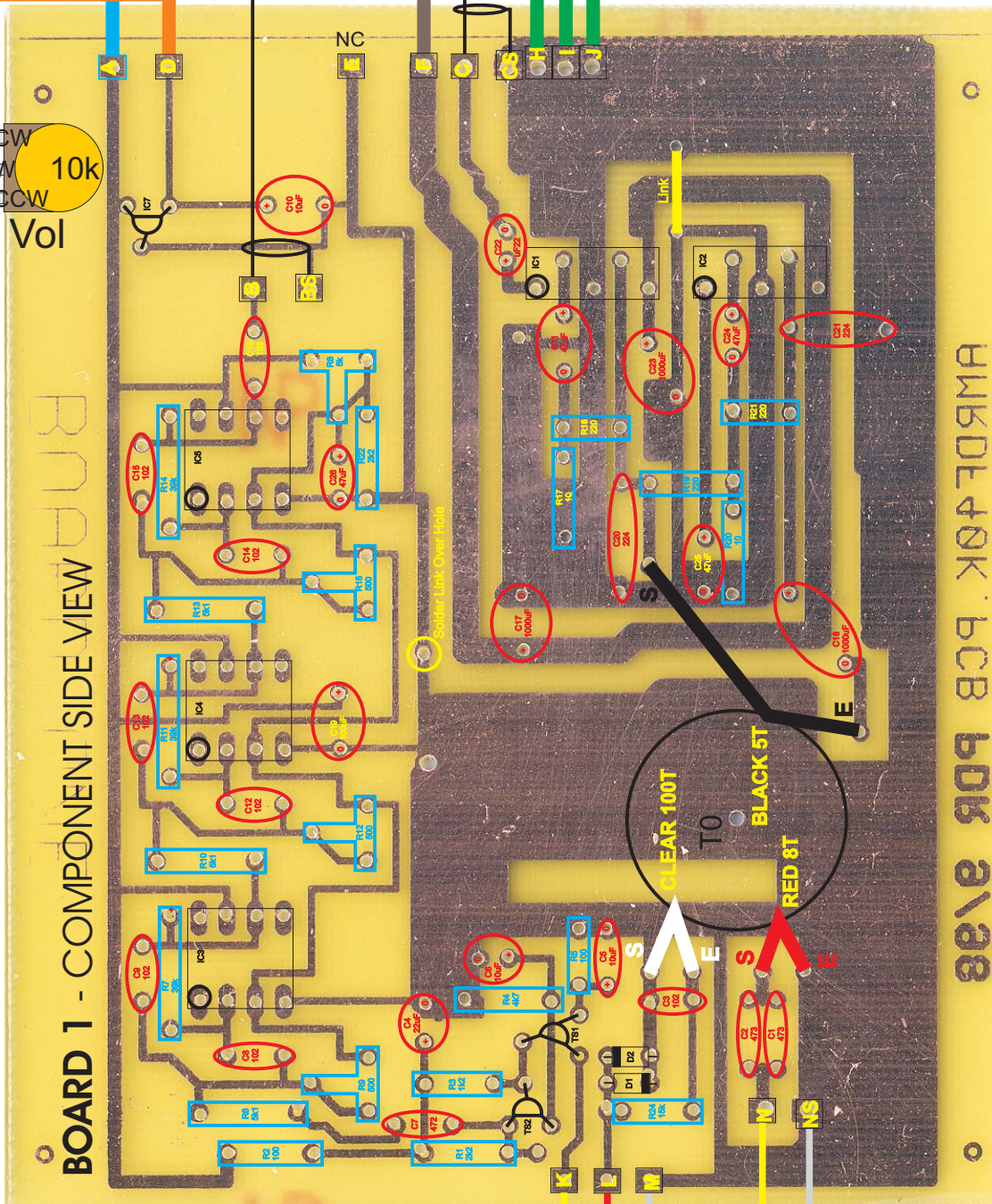
Tx Mode +12V



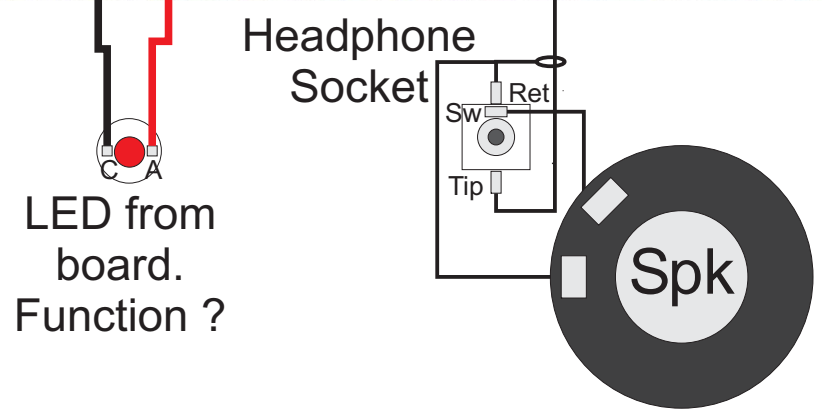
BOARD 3 - COMPONENT SIDE VIEW



BOARD 1 - COMPONENT SIDE VIEW



Last Edit 23/03/2008



LED from board.
Function ?

